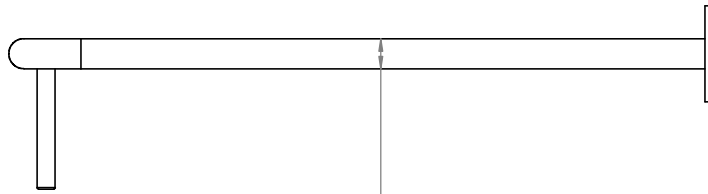
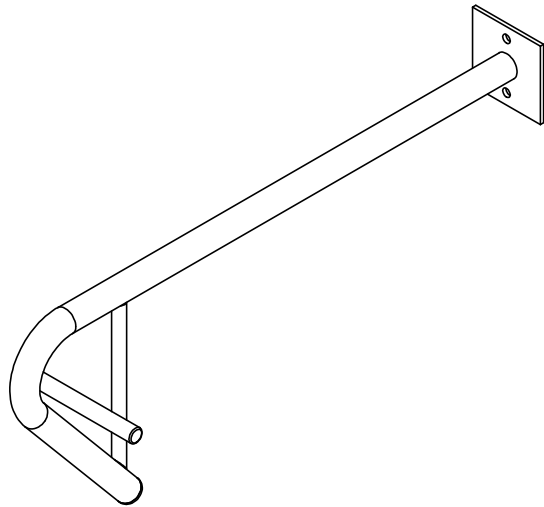
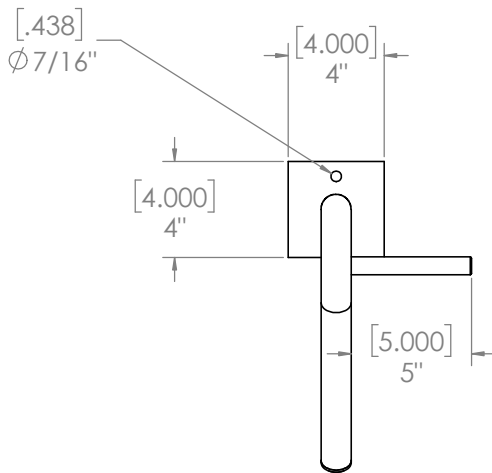


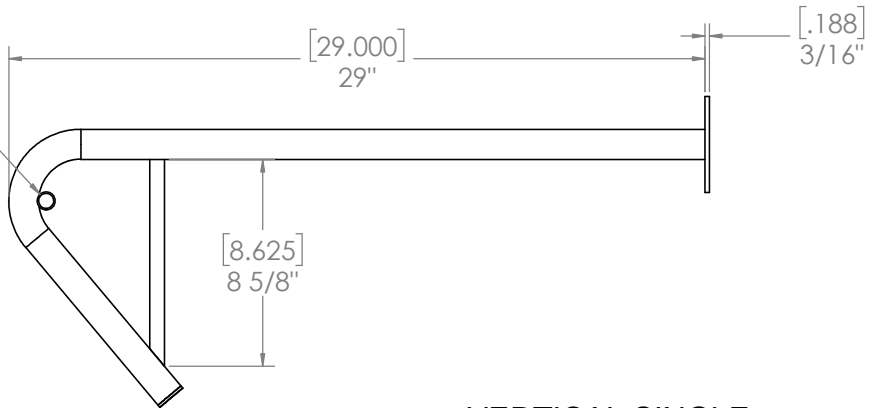
REVISIONS				
ZONE	REV.	DESCRIPTION	DATE	APPROVED



[1.250]
 ϕ 1 1/4"



[.750]
 ϕ 3/4"



**VERTICAL SINGLE
WALL MOUNTED**

VERTICAL SINGLE LEFT

ALL-BLS-A14

COPYRIGHT SOURCE DISPLAY INC 2009.

THIS DOCUMENT CONTAINS DESIGNS, IDEAS, AND SPECIFICATIONS WHICH ARE THE SOLE PROPERTY OF SOURCE DISPLAY INC. AND MAY NOT BE USED, MODIFIED, OR COPIED IN WHOLE OR IN PART IN ANY WAY WITH THE EXPRESS WRITTEN CONSENT OF THE SOURCE DISPLAY INC.

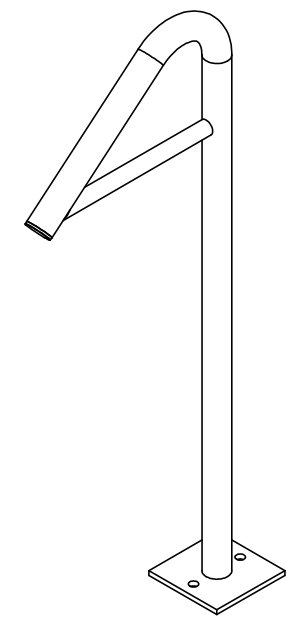
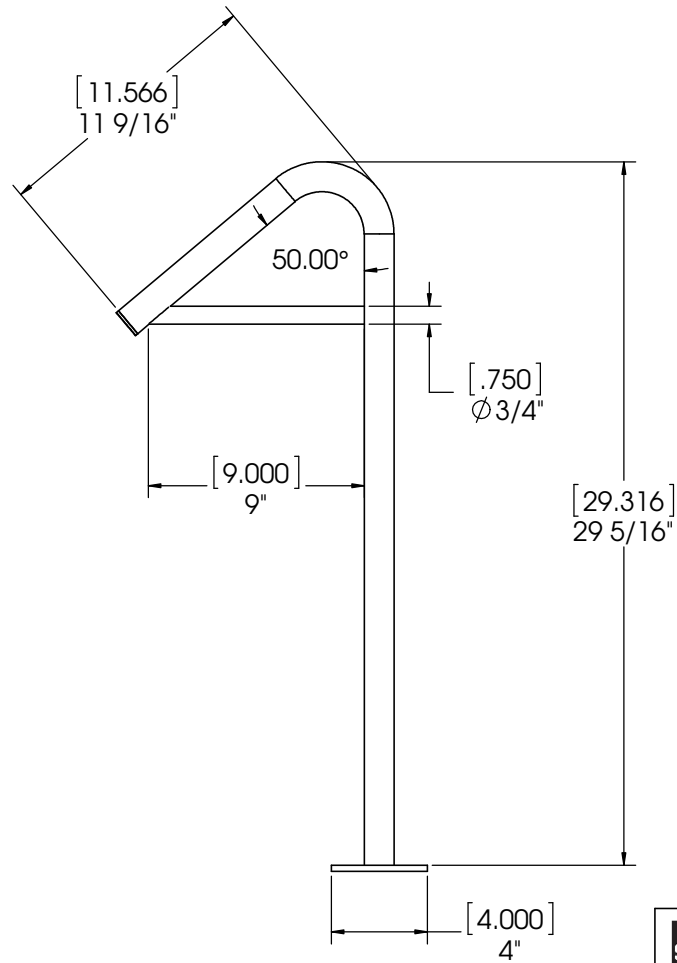
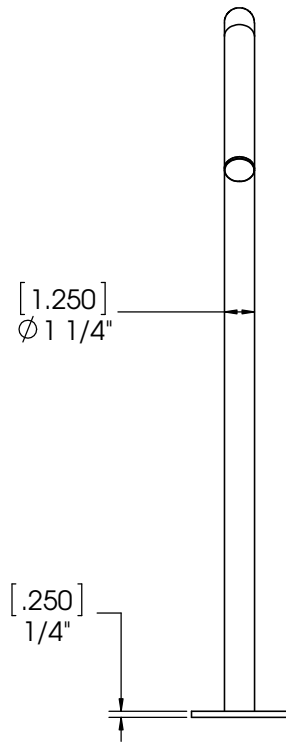
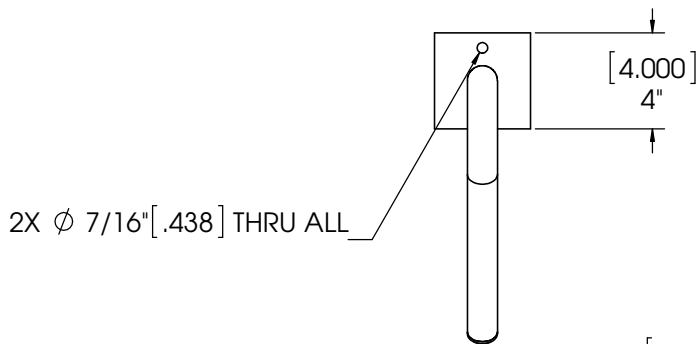


SOURCE DISPLAY INC.

UNIT 150 - 11784 HAMMERSMITH WAY, RICHMOND BC, V7A 5E3

CONCEPT BY: SIMON CHAI	DATE 5/22/2015	CUSTOMER ALLIANCE INSTALLATION
APPROVED BY:		PART NUMBER ALL-BLS-A25
PROJECT NO		DESCRIPTION
SCALE: 1:4	SHEET: 6 OF 6	

REVISIONS				
ZONE	REV.	DESCRIPTION	DATE	APPROVED



ALL-BLS-A14



SOURCE DISPLAY INC.
13200 Vulcan Way, Richmond, BC, Canada V6V 1J8
PHONE : 604.232.0577

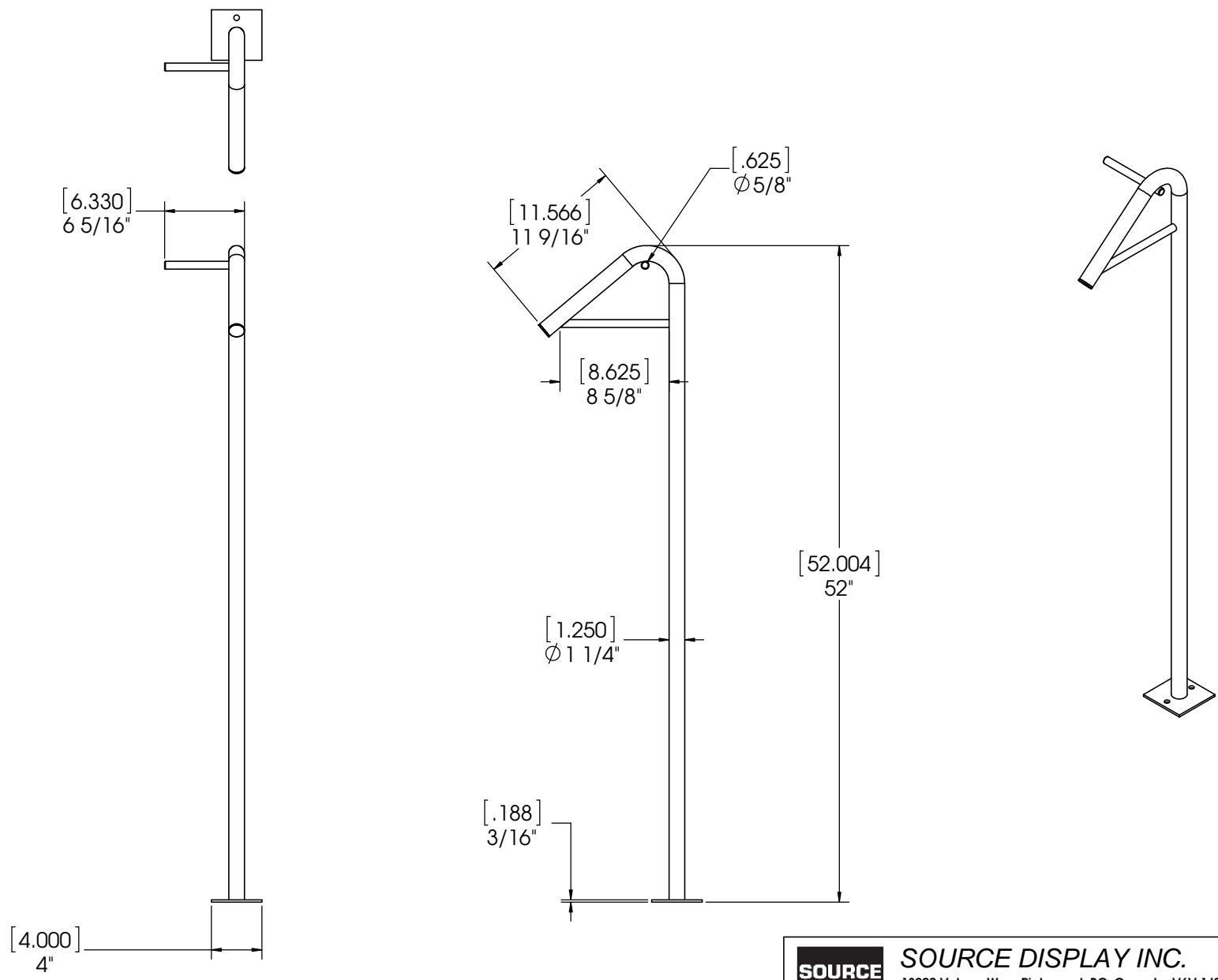
COPYRIGHT SOURCE DISPLAY INC 2009.

THIS DOCUMENT CONTAINS DESIGNS, IDEAS, AND SPECIFICATIONS WHICH ARE THE SOLE PROPERTY OF SOURCE DISPLAY INC. AND MAY NOT BE USED, MODIFIED, OR COPIED IN WHOLE OR IN PART IN ANY WAY WITH THE EXPRESS WRITTEN CONSENT OF THE SOURCE DISPLAY INC.

CONCEPT BY: SIMON CHAI	DATE 5/22/2015
APPROVED BY:	
PROJECT NO	
SCALE: 1:4	SHEET: 1 OF 2

CUSTOMER ALLIANCE INSTALLATION
PART NUMBER ALL-BLS-A14
DESCRIPTION HORIZONTAL SINGLE BIKE RACK

REVISIONS				
ZONE	REV.	DESCRIPTION	DATE	APPROVED



ALL-BLS-A22



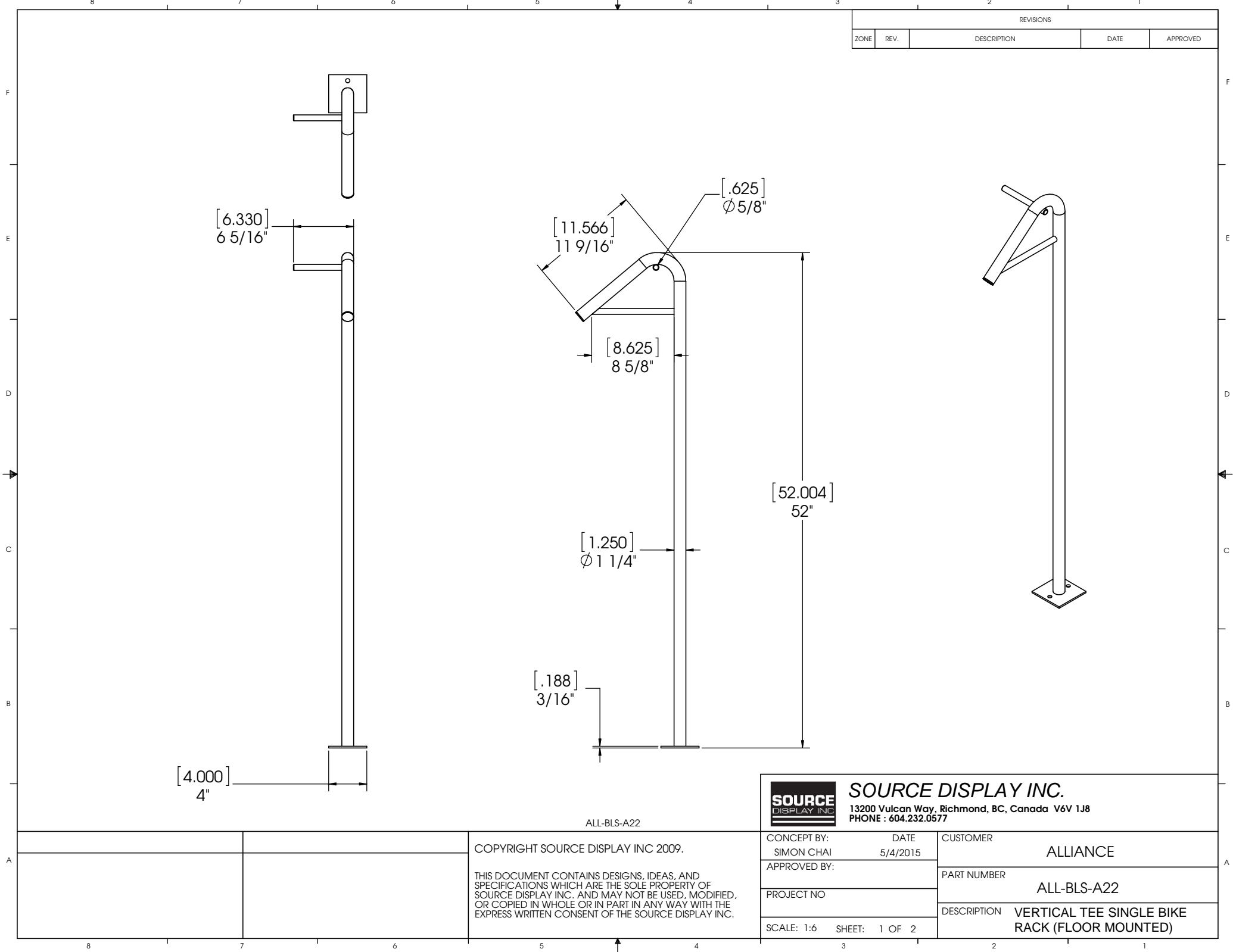
SOURCE DISPLAY INC.
 13200 Vulcan Way, Richmond, BC, Canada V6V 1J8
 PHONE : 604.232.0577

COPYRIGHT SOURCE DISPLAY INC 2009.

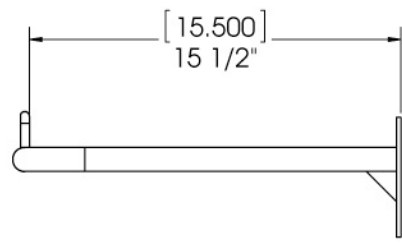
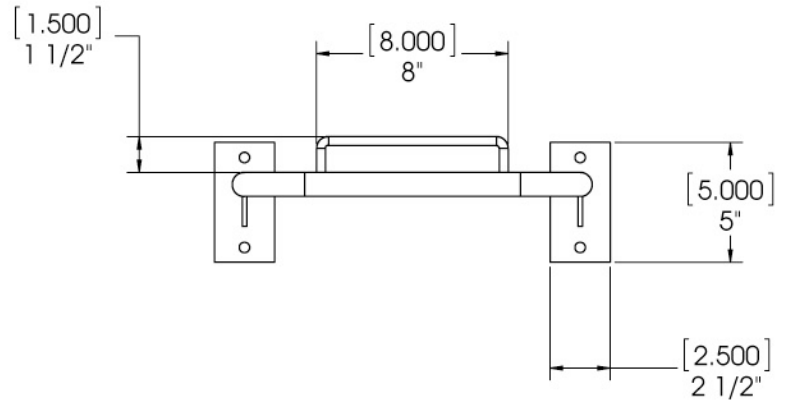
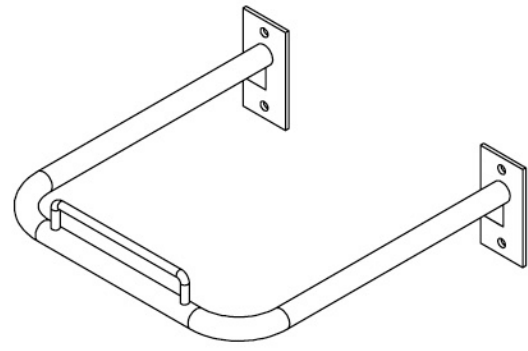
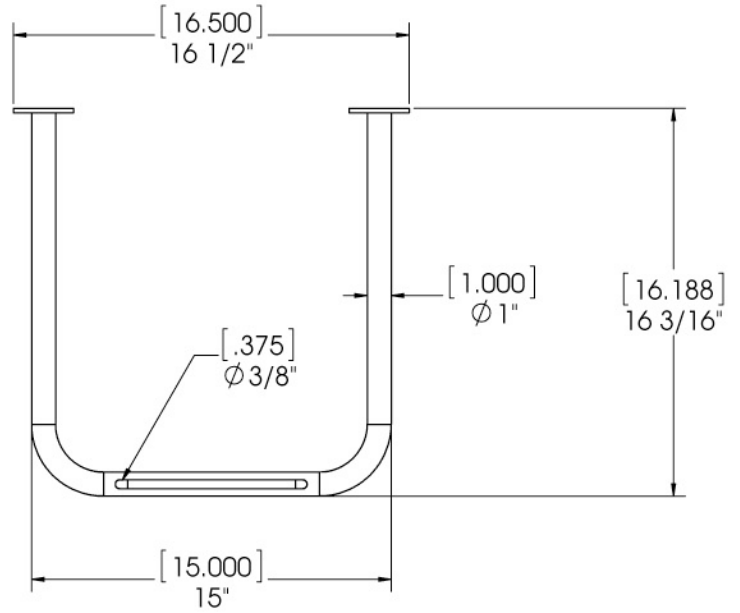
THIS DOCUMENT CONTAINS DESIGNS, IDEAS, AND SPECIFICATIONS WHICH ARE THE SOLE PROPERTY OF SOURCE DISPLAY INC. AND MAY NOT BE USED, MODIFIED, OR COPIED IN WHOLE OR IN PART IN ANY WAY WITH THE EXPRESS WRITTEN CONSENT OF THE SOURCE DISPLAY INC.

CONCEPT BY: SIMON CHAI	DATE 5/4/2015
APPROVED BY:	
PROJECT NO	
SCALE: 1:6	SHEET: 1 OF 2

CUSTOMER	ALLIANCE
PART NUMBER	ALL-BLS-A22
DESCRIPTION	VERTICAL TEE SINGLE BIKE RACK (FLOOR MOUNTED)



REVISIONS				
ZONE	REV.	DESCRIPTION	DATE	APPROVED



ALL-BLS-A20 - WD

COPYRIGHT SOURCE DISPLAY INC 2009.

THIS DOCUMENT CONTAINS DESIGNS, IDEAS, AND SPECIFICATIONS WHICH ARE THE SOLE PROPERTY OF SOURCE DISPLAY INC. AND MAY NOT BE USED, MODIFIED, OR COPIED IN WHOLE OR IN PART IN ANY WAY WITH THE EXPRESS WRITTEN CONSENT OF THE SOURCE DISPLAY INC.



SOURCE DISPLAY INC.
 13200 Vulcan Way, Richmond, BC, Canada V6V 1J8
 PHONE : 604.232.0577

CONCEPT BY: SIMON CHAI	DATE 2/25/2016	CUSTOMER ALLIANCE INSTALLATION
APPROVED BY:		PART NUMBER BSSM-BLS-A20 - WD
PROJECT NO		DESCRIPTION WALL MOUNT BIKE RACK
SCALE: 1:4	SHEET: 2 OF 2	